

The new Static Multi Monitoring measuring system measures and records the surface voltage during operation.

Up to three sensors can be positioned at any point above the web.

Data is recorded on standard compact flash cards which guarantee the trouble-free analysis on the PC.

Features of the Static Multi Monitoring:

- large color display with integrated control buttons
- 24 V DC supply voltage
- measuring range from 5 kV/m to 200 kV/m
- freely selectable recording intervals
- connection of up to 3 sensors, allowing wider web widths to be monitored reliably
- memory expansion: data recording > 1 year (optional)
- high measuring accuracy: additional field homogenising plate at a distance > 50 mm to measuring object
- freely adjustable signal relays for limit overranges
- robust sensor housing

Technical Information



F01014y

STATIC MULTI MONITORING

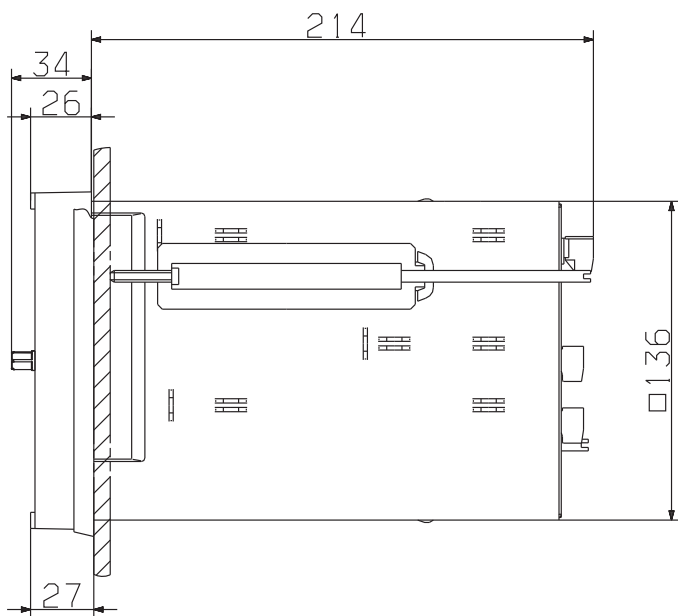
TI-en-1024-1009_EM200



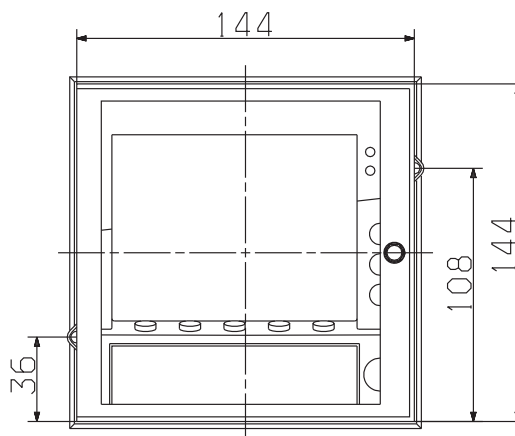
electrostatic
innovations

Dimensions and assembly instructions

Paperless recorder

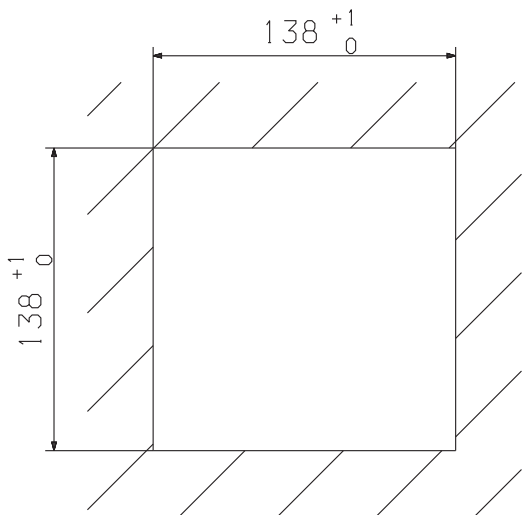


side view



front view

EM200_1



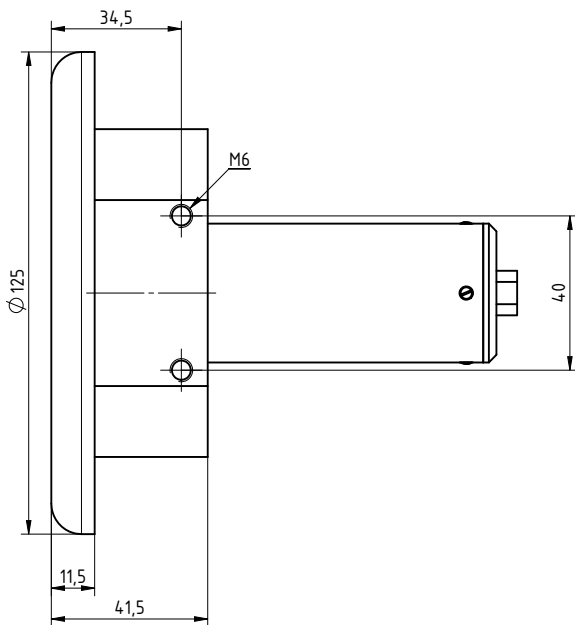
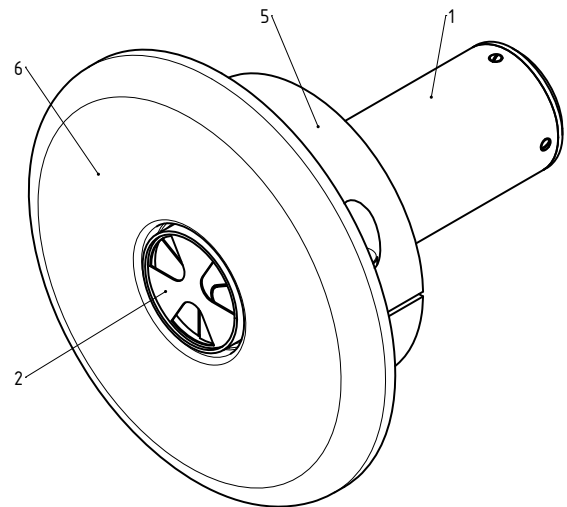
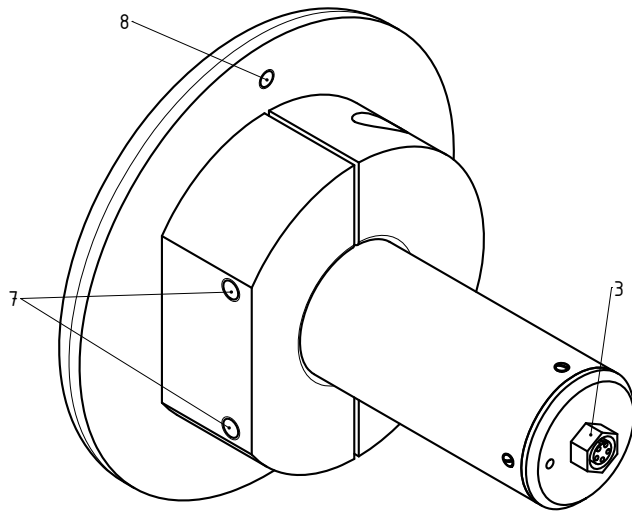
installation in operator panel

EM200_2



electrostatic
innovations

Mount with field homogenising plate

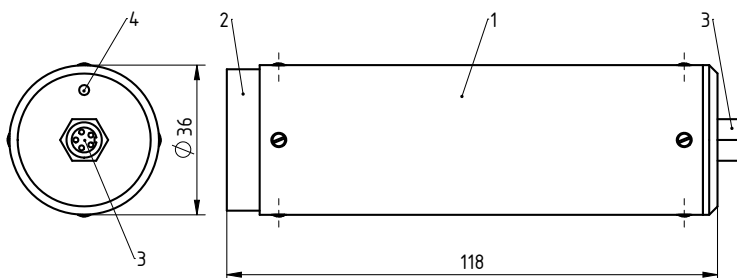


- 1 sensor housing
- 2 modulator system
- 3 socket 5-pole
- 4 zero trimmer
- 5 flange attachment
- 6 field homogenising plate
- 7 tapped bore M6
- 8 tapped bore M5 for ground connection

Z-111751y_2/3

Z-111751y_1

E-Field-Sensor



side / back view

Z-111578_1

Technical specifications

Supply voltage	24 V DC +/- 10 %
Power input	approx. 30 VA
Measuring range	5 kV/m up to max. 200 kV/m
Distance to measuring object	25 mm - 200 mm
Distance between measuring and display point	max. 20 m
Machine contact	1 input; recording Start / Stop
Sensors	1 - 3 pieces connectable
Signal relay	2 pieces, configurable
Binary inputs	3 pieces, configurable
Measuring intervals	adjustable
Alarm limits	adjustable
Memory capacity	1 month recording period (3 channels at 1 minute measuring interval)
Memory expansion (optional)	data recording >1 year with compact flash card, depending on measuring interval and number of channels
Ambient operating temperature	0...+40°C (+0...+104°F)
Ambient humidity	max. 75% r.h., without dewing
Optical indicator	green (operational), red (warning) LED in housing
Mains power	terminal, 230 V AC power supply as optional accessory
Sensor housing	metal
Sensor bracket	aluminium
Table-top housing paperless recorder (optional)	plastic with fold-down legs
Field homogenising plate (optional)	for use > 50 mm distance to measuring object, high measuring accuracy
Protection class	IP 20
Display cutout	138 x 138 x min. 250 mm (H x W x D)



**electrostatic
innovations**

Eltex-Elektrostatik-Gesellschaft mbH
Blauenstraße 67, D-79576 Weil am Rhein
Telefon +49 (0) 76 21/ 79 05 - 230
Telefax +49 (0) 76 21/ 79 05 - 330
eMail static-control@eltex.com
Internet www.eltex.com